



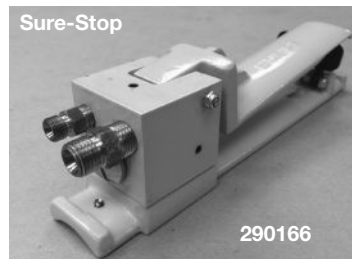
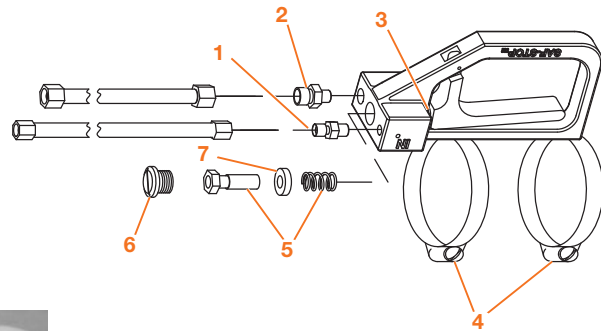
# Parts: Operator Remote Control Systems

## Operator Remote Control Components

DESCRIPTION	PART #
Saf-Stop II™ pneumatic remote control handle	290164
Sure-Stop pneumatic remote control handle	290166
Saf-Stop II™ electric remote control handle	290354
Sure-Stop electric remote control handle	290349
12 Volt DC electric remote control conversion kit	290334 C.I./290534 F.I.
120 Volt AC electric remote control conversion kit	290305 C.I./290505 F.I.
Grit cut-off switch for 780 pneumatic remote control	290424
Grit cut-off switch for 780 electric remote control, 120V AC	290392 C.I./290394 F.I.

## Parts for Pneumatic Saf-Stop II™ Remote Control Handle (Part # 290164)

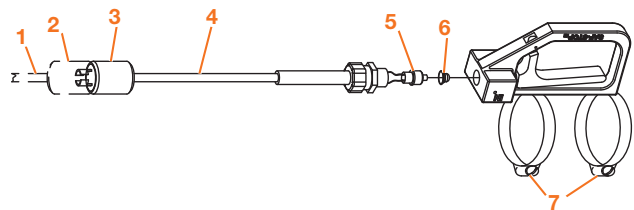
Item	Description	PART #
1	Hose adapter, 1/8" x 1/8"	520212
2	Hose adapter, 1/4" x 1/4"	520222
3	Urethane disc	525112
4	Adjustable clamp, 3" (each)	520521
5	Saf-Stop II plunger kit (includes push rod, nut, spring, washer and "O" ring)	290224
6	Saf-Stop II brass plug	520122
7	Saf-Stop II parts kit (includes washer, urethane disc and two "O" rings)	290225



**NOTE:** Internal components are the same for Saf-Stop II™ and Sure-Stop handles.

## Parts for Electric Saf-Stop II™ Remote Control Handle (Part # 290354)

Item	Description	PART #
	Cable with fitting, 55' (standard)	530042
1	Cable with fitting, 20'	530052
	Cable (specify length)	530062
2	Receptacle	534011
3	Connector	534011
4	Electric Saf-Stop II switch assembly	534001
5	O-ring	523972
6	Push button	534531
7	Adjustable clamp, 3" (each)	520521



**NOTE:** Internal components are the same for Saf-Stop II™ and Sure-Stop handles.