

Parts & Accessories

Media Regulators

DESCRIPTION	PART #
Manual Sure-Flo® media regulator (grit valve), normally open, 9" clearance required	290383
Automatic Sure-Flo® media regulator (grit valve), normally closed, 9" clearance required	290215

Conversion Kits

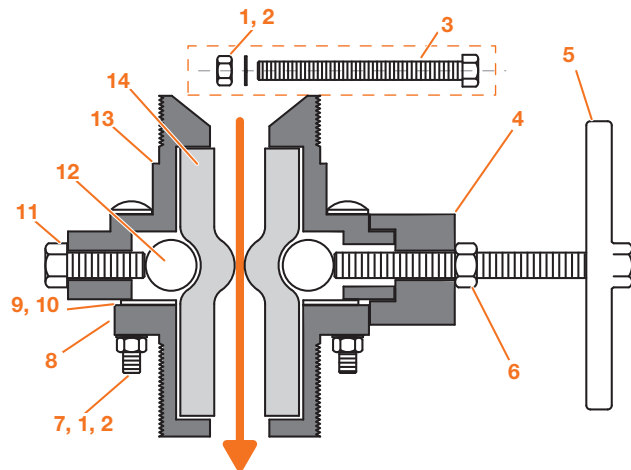
DESCRIPTION	PART #
Converts manual Sure-Flo® to automatic Sure-Flo®	290188
Converts old style manual 412 valve to manual Sure-Flo® valve	290250
Converts old style manual 411 valve to automatic Sure-Flo® valve	290253

Parts: Manual Sure-Flo® Media Regulator

Manual Sure-Flo® Media Regulator (Part Number 290383)

Note: These fasteners are used two places to mount manual body adapter to Sure-Flo® body.

Item	Description	PART #
1	Hex nut, 3/8" – 16 (6 required)	552542
2	Lock washer, 3/8" ID (6 required)	552762
3	Hex bolt, 3/8" – 16 x 3" (2 required)	551902
4	Adapter, manual body, Sure-Flo	753372
5	Handle assembly, 1/2" – 13 x 4"	290384
6	Jam nut, 1/2"	552672
7	Carriage bolt, 3/8" – 16 x 2 1/2" (4 required)	552052
8	Flange, 2" MPT	753292
9	Roller stop, holder	753092
10	Screw, 8 – 32 x 1/2" (2 per assembly)	551352
11	Bolt, 7/16" – 14 x 1 1/4"	552222
12	Pinch roller (2 per assembly)	753632
13	Valve body, 2" MPT	753692
14	Metering tube, 3/4" ID (See below.)	523592



Sure-Flo® metering tubes are available in six sizes for work with differing media types and nozzle sizes.

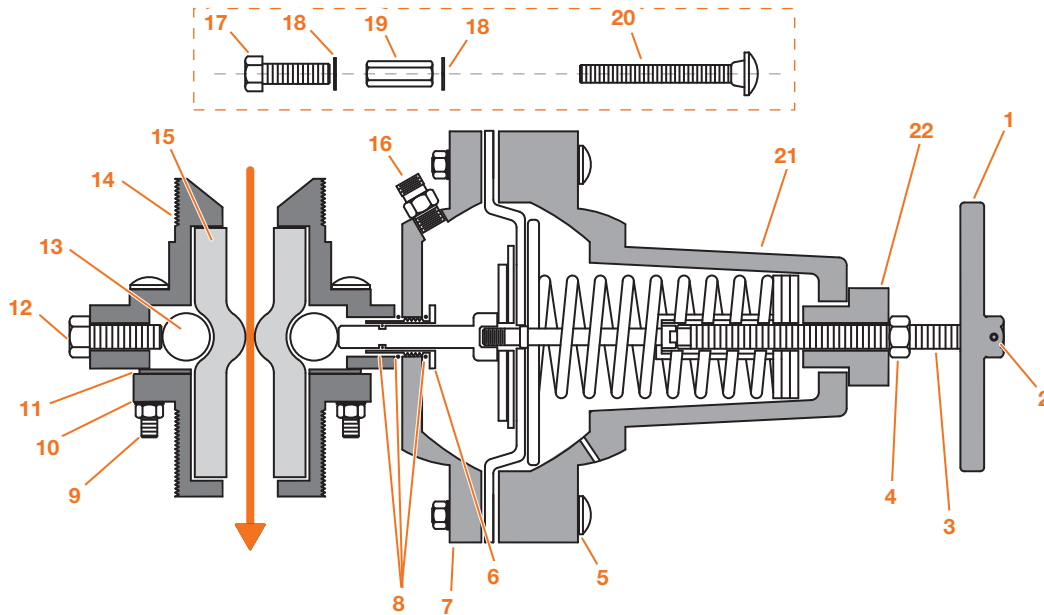
Metering Tube ID	Nozzle Size	Grit Range	Comments	PART NUMBER
3/8"	Small	Fine	Back out roller bolt 1/2"	525451
1/2"	Small-medium	Fine-medium	Back out roller bolt 1/2"	525782
3/4"	Medium-large	Medium	Supplied as standard	523592
3/4"	Medium	Medium	Use below 32° F. (red)	523512
5/8"	Medium	Medium-coarse		525792
7/8"	Large	Coarse	For high-production	525802



Parts: Automatic Sure-Flo® Media Regulator

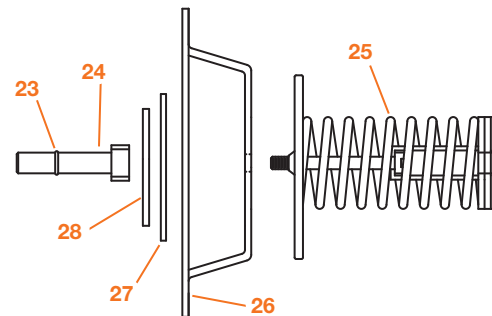
Parts for Automatic Sure-Flo® Media Regulator (Part # 290215)

Note: These fasteners are used two places to mount diaphragm body to Sure-Flo® valve.



Item	Description	PART #
1	Handle assembly, 1/2" - 13, Sure-Flo (after 5/84)	290217
	Handle only, 1/2" - 13	753622
2	Set screw, 1/4" - 20 x 3/8"	551052
3	Shaft handle	505802
4	Jam nut, 1/2" - 13	552672
5	Carriage bolt, 3/8" - 16 x 2 1/2"	552052
	Lock washer, 3/8" ID	552762
	Hex nut, 3/8" - 16	552542
6	Plunger guide	753462
7	Diaphragm cover	753112
8	O-ring kit (includes 2 for guide, 1 for plunger)	561422
	Carriage bolt, 3/8" - 16 x 2 1/2"	552052
	Lock washer, 3/8" ID	552762
	Hex nut, 3/8" - 16	552542
9	Flange, 2" MPT	753292
10	Roller stop holder	753092
	Screw, 8 - 32 x 1/2" (2 per assembly)	551352
11	Bolt, 7/16" - 14 x 1 1/4"	552222
12	Pinch roller (2 per assembly)	753632
13	Valve body, 2" MPT	753692
14	Meter tube, 3/4" (See page F2 for choices.)	523592
15	Adapter, 1/4" NPT x 1/4" tube	521081
16	Bolt, 3/8" - 16 x 1 1/4" (2, Auto Sure-Flo)	551852
17	Lock washer, 3/8" ID	552762
18	Nut extension, 3/8" - 16 (2, Auto Sure-Flo)	552662
19	Carriage bolt, 3/8" - 16 x 2 1/2"	552052
20	Spring enclosure	753682
21	Spring tensioner	505822

Spring & Diaphragm Detail (Part # 290296) (Part # 290296 includes items 23 through 28.)



WARNING: Never attempt to disassemble the spring assembly in the automatic Sure-Flo. The spring is under tension and could cause injury to personnel.

Item	Description	PART #
23	O-ring kit (includes 2 for guide, 1 for plunger)	561422
24	Plunger with O-ring	505872
25	Spring assembly	290296
26	Diaphragm, raised (after 5/84)	525012
	Diaphragm, flat (before 5/84)	523662
27	Diaphragm gasket	525002
28	Washer, 1/2" ID	552842